

Installation instructions for PZ4AL-01677-00

Under Run Protective Shield Engine Bay and Transmission Case

TOYOTA Corolla



TOYOTA Auris



Model Year

Corolla - 2007 - 2013 -

Auris - 2009

Auris - 2012-

Vehicle Code

NRE150L-AEFDKW

NRE150L-DHFDKW

NRE180L-DHFDKW

Part Number

PZ4AL-01677-00



Weight

9,9 kg



Installation Time

20 min

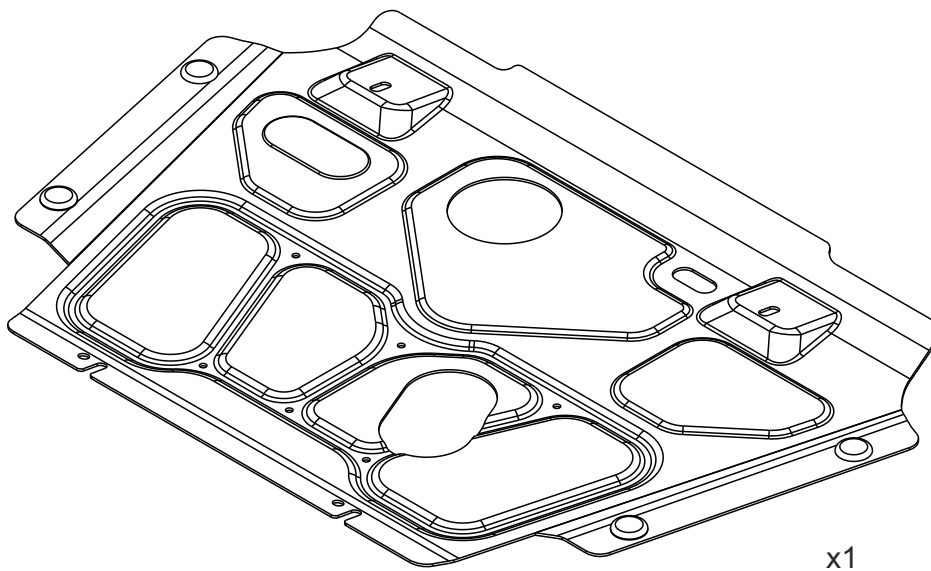
Manual reference number

AIM 001-910-0

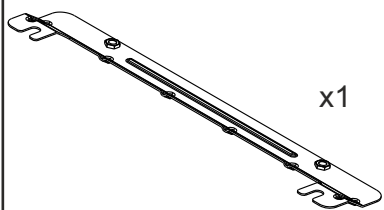
AIM 001-909-0

Part number: PZ4AL-01677-00

A



E



PZ4AL-01677-60

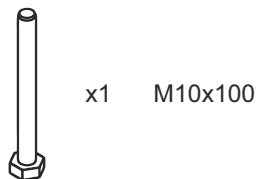
B1



B2



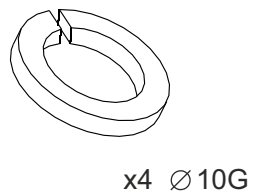
B3



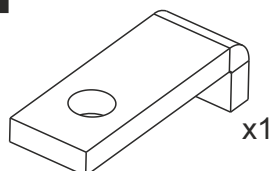
C1



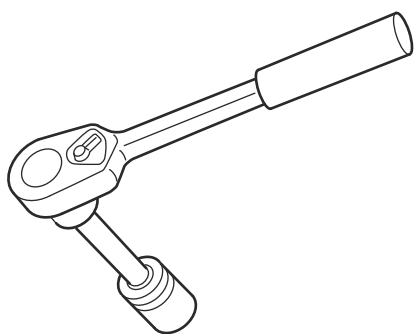
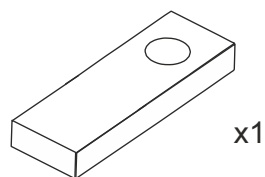
C2

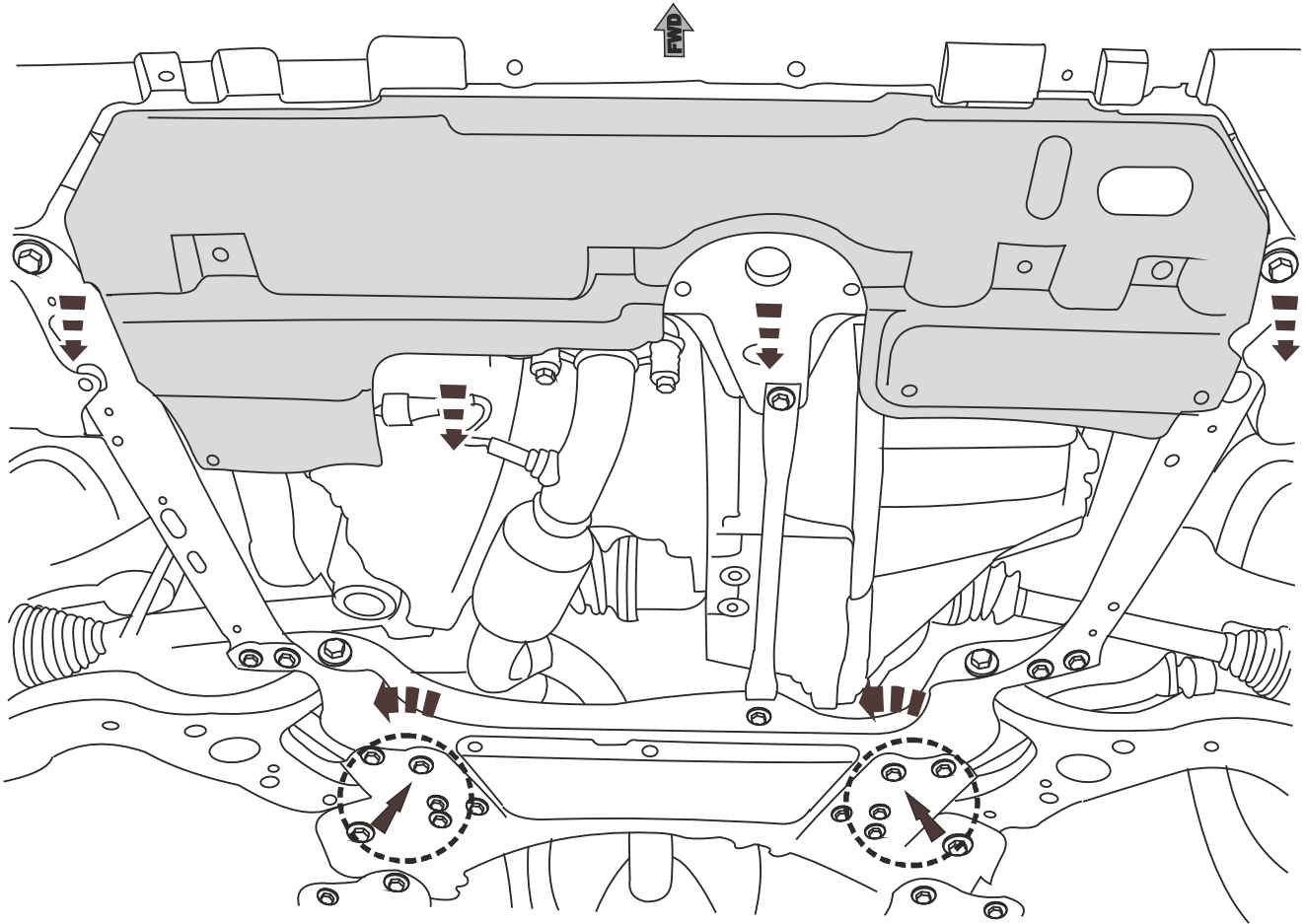
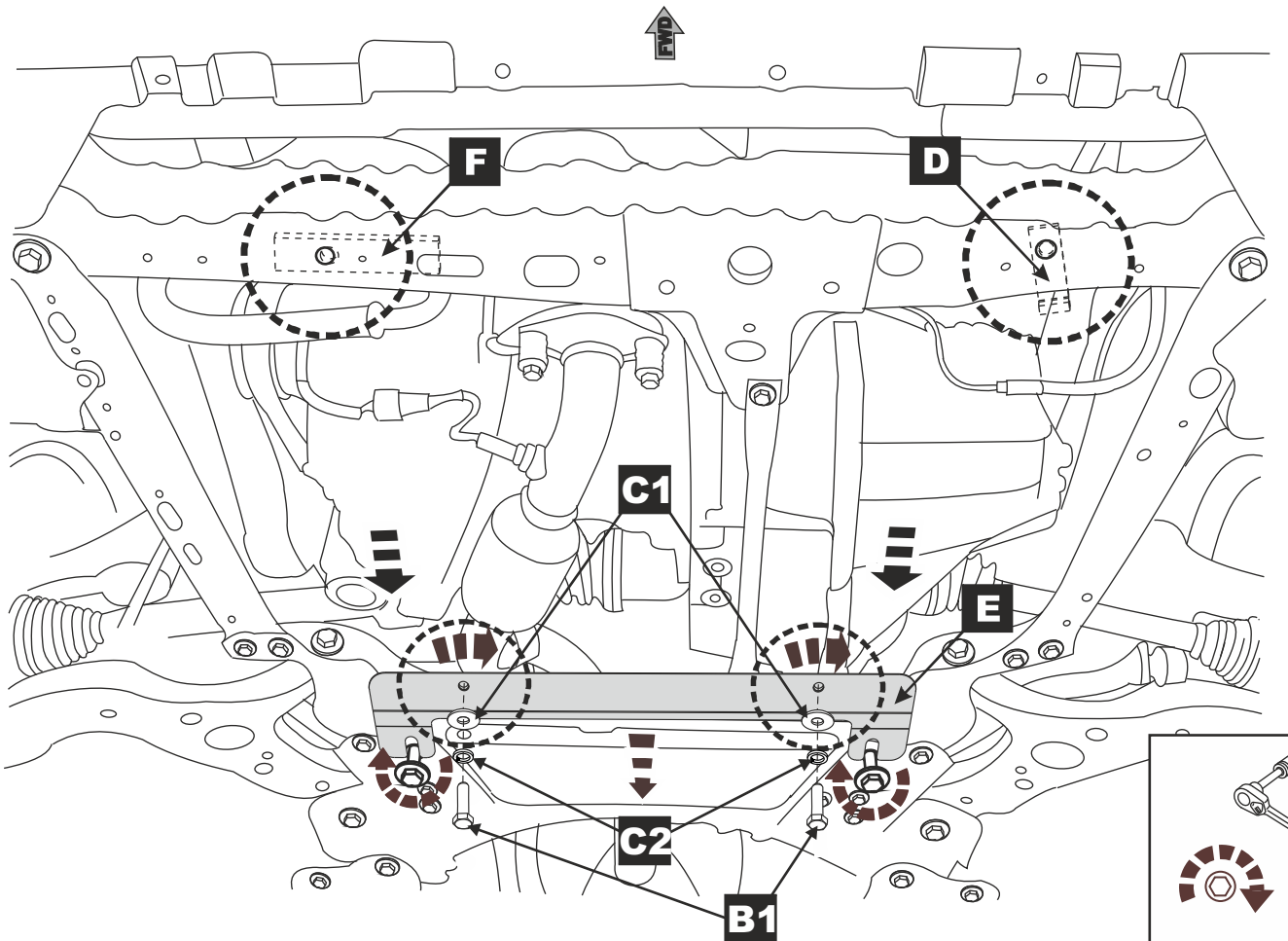


D

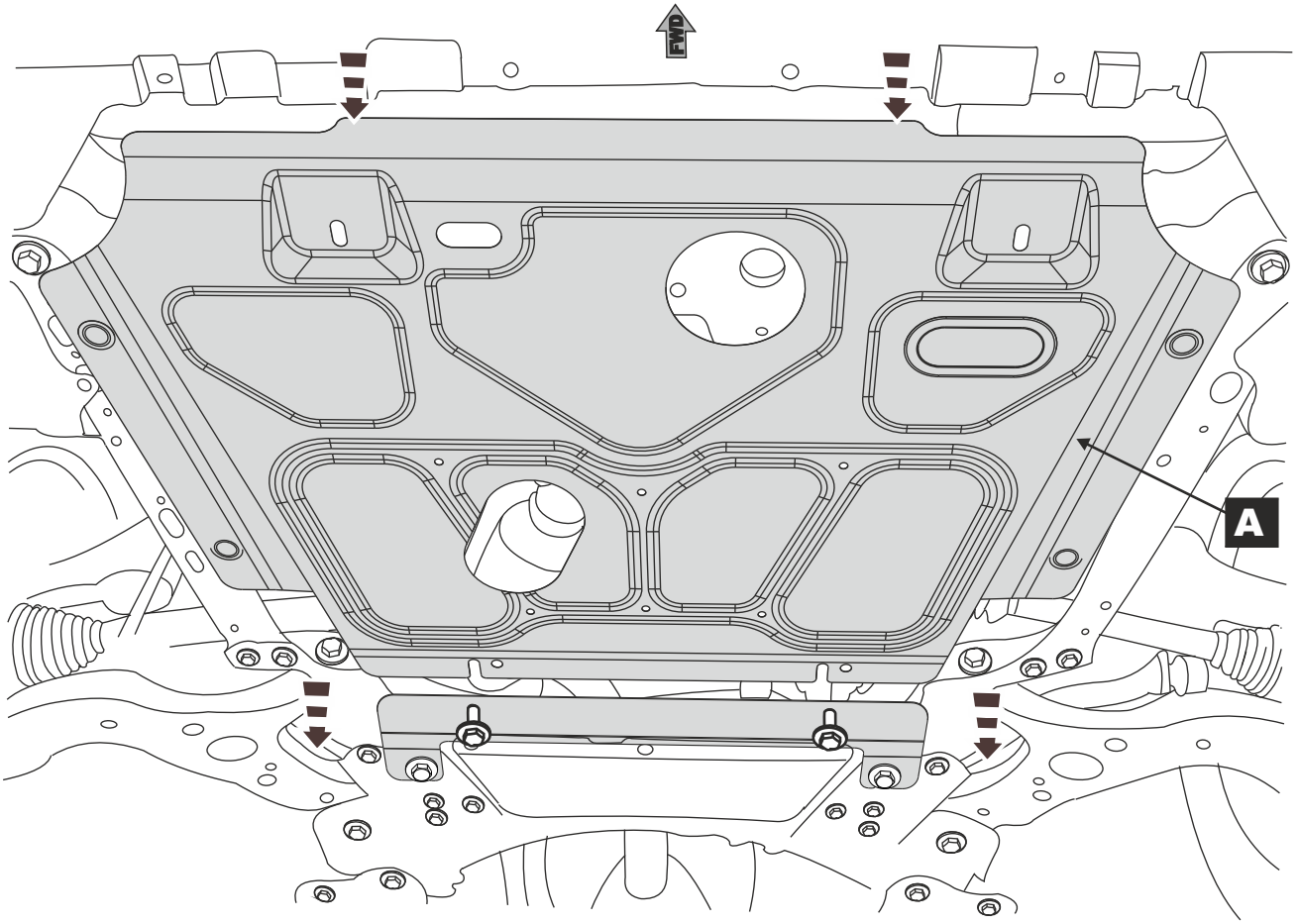


F

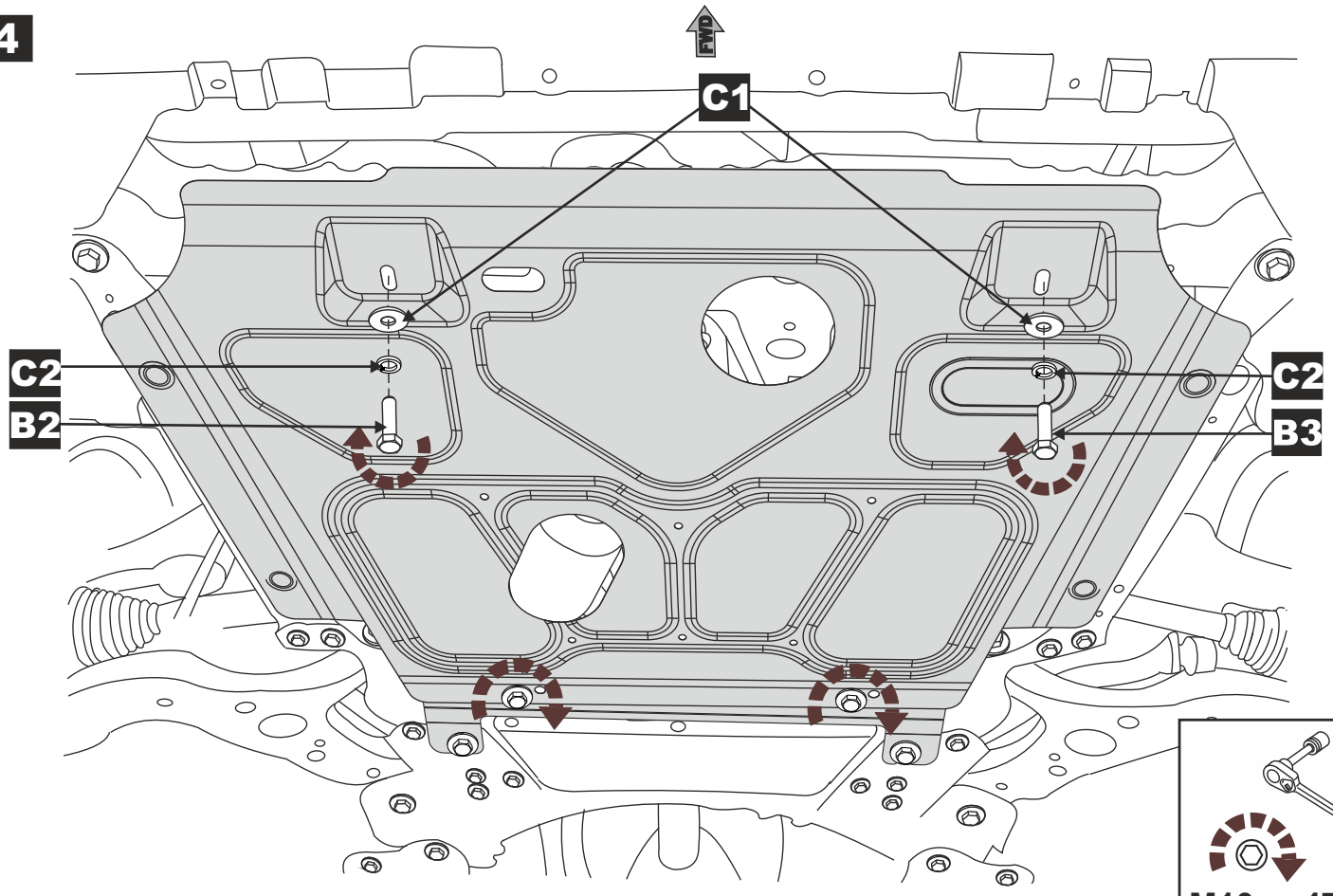
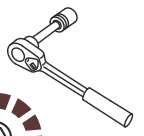


1**2**

3



4

M10 = 47 Nm

5

